



ЎЗБЕКISTON RESPUBLIKASI
Yoshlar siyosati
va Sport
Vazirligi



MEN'S U16 VOLLEYBALL CHAMPIONSHIP

TASHKENT, UZBEKISTAN

BULLETIN # 4

Circular Information

Dear Team Delegates

As of today, all matches in the Preliminary Round have been completed. As mentioned in the previous Bulletin, Top 2 in each Pool will be assigned to a Pool accordingly, and the remaining teams will be in Pool G for the 2nd phase of competitions.

Please be kindly advised to pay special attention on the following documents in the Bulletin:

- 1) Match schedule and Uniform Colors for the next 2 days for Top 8 teams and all matches for the teams in Pool G.
- 2) Training schedule according to the match schedule, including that on the resting day.

As a chairman of the CC members in this championship I would like to express my sincere apology to those teams who got a delayed transportation for your match today. The conditions of the competition are getting better and better, but there are still some that we, CC members, cannot have a direct control on them.

We CC members have all agreed to be more flexible for the match starting time if such an unpleasant case happens again. Please kindly be informed that you are guaranteed to have at least 35 minutes on the court before the 1st whistle, and also will have additional 30 minutes for your team preparation in the venue if a late arrival of the team is caused by a transportation problem. We hope this treatment would help you get less stressed out and a bit of relief from an expected transportation condition that might happen again (I hope NOT anymore).

Thanks for your kind understanding and cooperation.

24 July 2023



Dr. EOM Han Joo, CC chairman

Match Schedule and Uniform Colors

Pool E

A1: UZB (White, Blue, Red)
A2: KAZ (White, Blue, Yellow)
C1: IRI (Blue, Red, White)
C2: JPN (Red, White, Black)

Pool F

B1: THA (Red, Blue, White)
B2: AUS (Gold, Green, White)
D1: PAK (Green, White, Red)
D2: TPE (Blue, White, Red)

Pool G

A3: HKG (Black, Red, White)
C3: CHN (Red, Blue, White)
C4: KSA (Green, White)
D3: MGL (Blue, White, Red)

25-Jul	Rest Day: Group E(A1, A2, C1, C2), Group F(B1, B2, D1, D2), Group G (A3, C3, C4, D3)								
26-Jul	10:00	16	E	CF	(White)KAZ-IRI(Red)				
	12:30	17	F	CF	(Red)THA-TPE(Blue)	12:30	14	9th-12th	(White)HKG-KSA(Green)
	15:00	18	F	CF	(Green)AUS-PAK(Red)	15:00	15	9th-12th	(Blue)MGL-CHN(Red)
	17:30	19	E	CF	(White)UZB-JPN(Blue)				
27-Jul	10:00	22	F	CF	(White)AUS-TPE(Red)				
	12:30	23	F	CF	(Blue)THA-PAK(Green)	12:30	20	9th-12th	(Red)HKG- CHN(Blue)
	15:00	24	E	CF	(Blue)(KAZ)-JPN(Red)	15:00	21	9th-12th	(Red)MGL-KSA(White)
	17:30	25	E	CF	(Blue)(UZB)-IRI(White)				
28-Jul	10:00	27	SF	5th-8th	E3-F4				
	12:30	28	SF	5th-8th	E4-F3				
	15:00	29	SF	1st-4th	E1-F2	15:00	26	9th-12th	(Black)HKG-MGL(White)
	17:30	30	SF	1st-4th	E2-F1	(The host requested this starting time)			
29-Jul	10:00	31	Final	7th-8th	LM27-LM28				
	12:30	32	Final	5th-6th	WM27-WM28				
	15:00	33	Final	3rd-4th	LM29-LM30				
	17:30	34	Final	1st-2nd	WM29-WM30				

Venue 1	Yunusobod
Venue 2	Jar

NOTE:

The match order within the day may be changed with a request of the host. If so, the change is informed to all teams one-day

Training Schedule

- Note: The following is a training schedule for 3 days

Date	Training Halls				
	Time	Unusobod	Venue2	Hall 1	Hall 2
25 JULY					
	10:00 – 11:00	KAZ			
	11:00 – 12:00	IRI			
	12:00 – 13:00	THA	HKG		
	13:00 – 14:00	TPE	KSA		
	14:00 – 15:00	AUS	MGL		
	15:00 – 16:00	PAK	CHN		
	16:00 – 17:00	UZB			
	17:00 – 18:00	JPN			
26 JULY	9:00- 10:00		MGL	AUS	PAK
	10:00 – 11:00		CHN	UZB	JPN
	11:00 – 12:00				
	12:00 – 13:00				
	13:00 – 14:00				
	14:00 – 15:00				
	15:00 – 16:00				
	16:00 – 17:00			KAZ	IRI
	17:00 – 18:00		HKG	THA	TPE
18:00 – 19:00		KSA			
27 JULY	9:00- 10:00		MGL	KAZ	JPN
	10:00 – 11:00		KSA	UZB	IRI
	11:00 – 12:00				
	12:00 – 13:00				
	13:00 – 14:00				
	14:00 – 15:00				
	15:00 – 16:00				
	16:00 – 17:00		HKG	AUS	TPE
	17:00 – 18:00		CHN	THA	PAK
18:00 – 19:00					

Unusobod	Main Hall
Venue 2	Second Competition Hall JAR
Hall 1	Tashkent State Transport University
Hall 2	Tashkent University of Information Technologies named by Muhammad al-Khwarizmi

NOTE: Please take a good look at the training time. Training schedules in the venue are according to the match schedule, these are no alternatives. Trainings in the training Halls can be applied as an additional Hall, explained in the previous Bulletin



Volleyball - Pool Ranking

1st Asian Men's U16 Volleyball Championship

Preliminary - Pool A

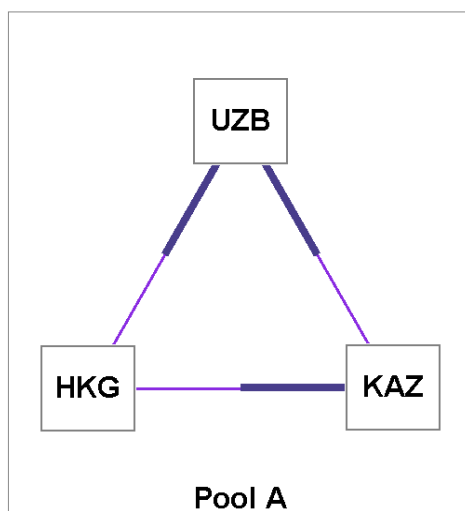


Statistics

Rank	Team	Matches			Details							Sets			Points		
		T	W	L	3-0	3-1	3-2	2-3	1-3	0-3	Pts	W	L	Ratio	W	L	Ratio
1	UZB - UZBEKISTAN	2	2	0	2	0	0	0	0	0	6	6	0	MAX	150	108	1.389
2	KAZ - KAZAKHSTAN	2	1	1	1	0	0	0	0	1	3	3	3	1.000	135	129	1.047
3	HKG - Hong Kong China	2	0	2	0	0	0	0	0	2	0	0	6	0.000	102	150	0.680

Matches

No	Phase	Pool	Date	Time	Teams	1	2	3	4	5	Sets	Points	Time
4	Preliminary	A	2023-07-22	17:30	HKG vs UZB	15:25	16:25	17:25			0-3	48:75	01:12
7	Preliminary	A	2023-07-23	15:00	KAZ vs HKG	25:21	25:15	25:18			3-0	75:54	01:18
13	Preliminary	A	2023-07-24	17:30	UZB vs KAZ	25:21	25:19	25:20			3-0	75:60	01:25





Volleyball - Pool Ranking

1st Asian Men's U16 Volleyball Championship

Preliminary - Pool B

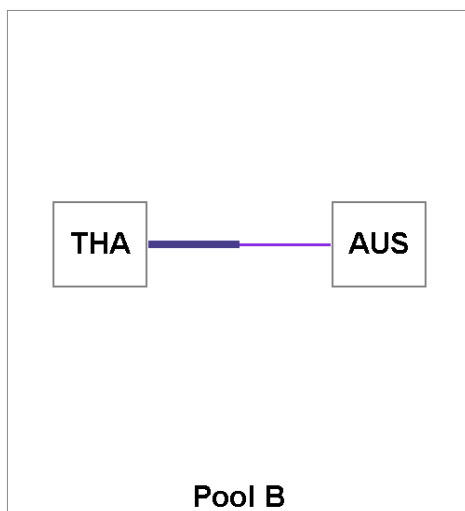


Statistics

Rank	Team	Matches			Details							Sets			Points		
		T	W	L	3-0	3-1	3-2	2-3	1-3	0-3	Pts	W	L	Ratio	W	L	Ratio
1	THA - Thailand	1	1	0	0	1	0	0	0	0	3	3	1	3.000	96	75	1.280
2	AUS - Australia	1	0	1	0	0	0	0	1	0	0	1	3	0.333	75	96	0.781

Matches

No	Phase	Pool	Date	Time	Teams	1	2	3	4	5	Sets	Points	Time
10	Preliminary	B	2023-07-24	10:00	AUS vs THA	17:25	25:21	18:25	15:25		1-3	75:96	01:31





Volleyball - Pool Ranking

1st Asian Men's U16 Volleyball Championship

Preliminary - Pool C

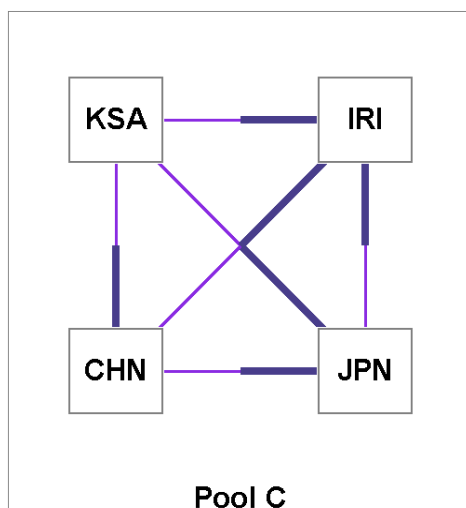


Statistics

Rank	Team	Matches			Details						Sets			Points			
		T	W	L	3-0	3-1	3-2	2-3	1-3	0-3	Pts	W	L	Ratio	W	L	Ratio
1	IRI - IRAN	3	3	0	2	0	1	0	0	0	8	9	2	4.500	260	201	1.294
2	JPN - JAPAN	3	2	1	1	1	0	1	0	0	7	8	4	2.000	273	232	1.177
3	CHN - CHINA	3	1	2	1	0	0	0	1	1	3	4	6	0.667	226	228	0.991
4	KSA - Kingdom of Saudi Arabia	3	0	3	0	0	0	0	0	3	0	0	9	0.000	127	225	0.564

Matches

No	Phase	Pool	Date	Time	Teams	1	2	3	4	5	Sets	Points	Time
1	Preliminary	C	2023-07-22	10:00	KSA vs CHN	19:25	20:25	12:25			0-3	51:75	01:13
3	Preliminary	C	2023-07-22	15:00	IRI vs JPN	22:25	17:25	25:20	25:22	15:10	3-2	104:102	02:01
6	Preliminary	C	2023-07-23	12:30	JPN vs KSA	25:18	25:18	25:10			3-0	75:46	01:05
8	Preliminary	C	2023-07-23	17:30	IRI vs CHN	31:29	25:17	25:23			3-0	81:69	01:30
11	Preliminary	C	2023-07-24	12:30	CHN vs JPN	16:25	25:21	18:25	23:25		1-3	82:96	01:36
12	Preliminary	C	2023-07-24	15:00	IRI vs KSA	25:12	25:6	25:12			3-0	75:30	01:01





Volleyball - Pool Ranking

1st Asian Men's U16 Volleyball Championship

Preliminary - Pool D

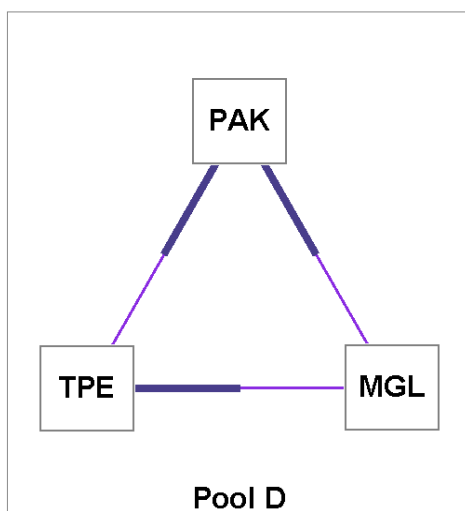


Statistics

Rank	Team	Matches			Details							Sets			Points		
		T	W	L	3-0	3-1	3-2	2-3	1-3	0-3	Pts	W	L	Ratio	W	L	Ratio
1	PAK - PAKISTAN	2	2	0	2	0	0	0	0	0	6	6	0	MAX	150	88	1.705
2	TPE - Chinese Taipei	2	1	1	1	0	0	0	0	1	3	3	3	1.000	124	111	1.117
3	MGL - Mongolia	2	0	2	0	0	0	0	0	2	0	0	6	0.000	75	150	0.500

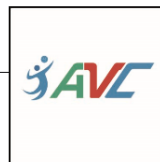
Matches

No	Phase	Pool	Date	Time	Teams	1	2	3	4	5	Sets	Points	Time
2	Preliminary	D	2023-07-22	12:30	TPE vs PAK	15:25	18:25	16:25			0-3	49:75	01:06
5	Preliminary	D	2023-07-23	10:00	MGL vs TPE	20:25	12:25	4:25			0-3	36:75	01:06
9	Preliminary	D	2023-07-24	15:00	PAK vs MGL	25:9	25:17	25:13			3-0	75:39	01:04





Volleyball - Match Result (P2)



1st Asian Men's U16 Volleyball Championship

Preliminary - D

Match: 9 **Date:** 2023-07-24 **Spectators:** 20
City: Tashkent
Hall: JAR
Match durations: **Start:** 15:00 **End:** 16:04 **Total:** 01:04

Teams	Sets	1	2	3	4	5	Total
PAK	3	25	25	25			75
MGL	0	9	17	13			39
Set Durations		16	22	20			58

Referees: R1: Hsueh Yu Chung [TPE], R2: Djumaniyozov Ganijon [UZB]

PAK			Line-up					Point					MGL			Line-up					Point						
			1	2	3	4	5	1	2	3	4	5				1	2	3	4	5	1	2	3	4	5		
1	OP	JAN AMIN		6									1			1										1	
3	MB	ANAS MUHAMMAD	5	2	2			5	5																		10
4	S	FAROOQ MUHAMMAD			7																						
5	MB	HASSAN MUHAMMAD			15								1														1
6	OP	YAHYA MUHAMMAD	3	3	3			6	5	5																	16
7	S	AHMAD TALAL	6	6	6					2	2																4
8	OH	KHAN AWAIS	10	10	13								4														4
9	OH	KHAN ASAD ULLAH	13		10			1		1																	2
10	OH	SHAH MUHTAD ALI	1	1	1			2	2	4																	8
12	L	HAYAT KHIZAR	L	L	L																						
13	OH	JUNAID AJMAL	4	4	4			3		4																	7
15	MB	KHAN ISMAIL	2	5	5			1		1																	2
Coach: SAEED AHMED KHAN SADY												Coach: Tamiraa Renchin															
Assistants: LAIQ ZAMAN												Assistants: Dorjagdag Enkhbaatar, Gankhishig Ganbold															

TEAMS AND PLAYERS PERFORMANCES

Won Points	Total Attempts	No Name	Scoring Skills	Won Points	Total Attempts	No Name
41	75	Total Team	Spike	8	51	Total Team
9	14	3 ANAS MUHAMMAD		5	25	5 Munkh-Erdene
8	21	6 YAHYA MUHAMMAD		2	12	3 Tenuun
7	11	10 SHAH MUHTAD ALI		1	2	1 Tuvshinbayar
3	19	Total Team	Block	1	21	Total Team
1	3	3 ANAS MUHAMMAD		1	3	5 Munkh-Erdene
1	1	10 SHAH MUHTAD ALI				
11	73	Total Team	Serve	2	41	Total Team
8	18	6 YAHYA MUHAMMAD		2	7	15 Enkhjargal
2	10	13 JUNAID AJMAL				
1	9	7 AHMAD TALAL				
20		Total Team	Opp. Error	28		Total Team
55	167	Total Team		Total	11	113
16	A:8,S:8	6 YAHYA MUHAMMAD	Best Scorer	6	A:5,B:1	5 Munkh-Erdene
10	A:9,B:1	3 ANAS MUHAMMAD		2	S:2	15 Enkhjargal
8	A:7,B:1	10 SHAH MUHTAD ALI		2	A:2	3 Tenuun

Name game jury president: Massoud Yazdanpanah [IRI]

Signature: _____



Volleyball - Match Result (P2)



Asian Men's U16 Volleyball Championship

Preliminary - B

Match: 10 **Date:** 2023-07-24 **Spectators:** 100
City: Tashkent
Hall: YUNUSOBOD (Main)
Match durations: **Start:** 10:00 **End:** 11:31 **Total:** 01:31

Teams	Sets	1	2	3	4	5	Total
AUS	1	17	25	18	15		75
THA	3	25	21	25	25		96
Set Durations		19	24	20	19		82

Referees: R1: Wong Pak Ki [HKG], R2: Mehرداد Shoshtari [IRI]

AUS		Line-up					Point					THA		Line-up					Point					
		1	2	3	4	5	1	2	3	4	5			1	2	3	4	5	1	2	3	4	5	
① OH	Baker	5	5	5	5		2	5	4	2		13	1 OH	P.NAKARIN	5	5	12	4		2	1	3	4	10
2 OH	Beard	2	2	2	9		2	1				3	5 MB	S.NOPPORN										
3 OH	Bergemann	4	4	4	4		3	2	2	8		15	⑥ OH	P.SORASAK	2	2	2	2		4	4	3	2	13
4 MB	Brown	5	6	6	6		1	2	1		4	7 S	N.PHANUPHONG	1	1				1				1	
5 MB	Elson	6					1				1	9 L	K.PAKKAPONG	L	L	L	L							
6 L	Fourie	L	L	L	L		1				1	10 MB	S.CHOKCHAI											
7 S	Grocott	1	1	1	11			1			1	11 MB	B.PATTARAPOOM	3	3	3	3		1	2	1		4	
8 MB	Harris			4	12							12 OP	P.NATTHAKORN	4	4	4			2	2	2		6	
9 OH	Home	2	2	2	2				1		1	13 S	P.RATTIMAKON	7	1	1								
10 MB	Li				4				1		1	16 L	S.NATAPAT	L	L	L	L							
11 S	Woolgar			7	1							18 OP	S.JIRAWAT	6	6	6	6		1		2	3	6	
12 MB	Zhang	3	3	3	3		3	1			4	19 OH	W.RUNGWIKAI	1	5	5			2	3	3		8	

Coach: Adrien Ickowicz

Assistants: Lauren Wann, Luke Seib

Coach: Khjhornsak Manapornchai

Assistants: Janewit O-Chaumphawan, Montri Phuanglib

TEAMS AND PLAYERS PERFORMANCES

Won Points	Total Attempts	No Name	Scoring Skills	Won Points	Total Attempts	No Name
31	83	Total Team	Spike	38	76	Total Team
11	24	3 Bergemann		11	15	6 P.SORASAK
9	16	1 Baker		9	15	1 P.NAKARIN
4	10	12 Zhang		8	13	19 W.RUNGWIKAI
4	21	Total Team	Block	2	14	Total Team
2	4	4 Brown		1	3	12 P.NATTHAKORN
1	7	3 Bergemann		1	5	11 B.PATTARAPOOM
1	4	1 Baker	Serve	8	94	Total Team
9	74	Total Team		3	21	11 B.PATTARAPOOM
3	12	3 Bergemann		2	18	6 P.SORASAK
3	11	1 Baker		1	8	12 P.NATTHAKORN
1	6	4 Brown	Opp. Error	48		Total Team
31		Total Team		48	184	Total Team
44	178	Total Team	Total	48	184	Total Team
15	A:11,B:1,S:3	3 Bergemann		Best Scorer	13	A:11,S:2
13	A:9,B:1,S:3	1 Baker	10		A:9,S:1	1 P.NAKARIN
4	A:1,B:2,S:1	4 Brown	8		A:8	19 W.RUNGWIKAI

Name game jury president: Eom Han-Joo [KOR]

Signature: _____



Volleyball - Match Result (P2)



1st Asian Men's U16 Volleyball Championship

Preliminary - C

Match: 11 **Date:** 2023-07-24 **Spectators:** 200
City: Tashkent
Hall: YUNUSOBOD (Main)
Match durations: **Start:** 12:30 **End:** 14:06 **Total:** 01:36

Teams	Sets	1	2	3	4	5	Total
CHN	1	16	25	18	23		82
JPN	3	25	21	25	25		96
Set Durations		19	23	21	24		87

Referees: R1: Sattarova Olga [KAZ], R2: Samuel Chung [AUS]

CHN		Line-up					Point					
		1	2	3	4	5	1	2	3	4	5	
1	MB HU H.L.	3	3	3	3		4	1				8
2	MB MEI Z.G	6	6	6	6		2	3	2	1		8
3	MB LIU X.Y					1				1		1
4	OP YANG Y.H	4	4	4	4		2	2	5	1		10
6	OH WANG T.T.		12	12	12							
7	S HU Q.Y.	1	1	1	1		1	1		1		3
8	OH WEI H.B.					2						
9	OH DING K.J.	5	5	5	5			2	3	4		9
10	L CHEN Y.F.	L	L	L	L							
12	OH WANG D.Z.	2	2	2	2		3	5		5		13
15	OP ZHU Y.L.	4										
17	S WANG S.D.											

Coach: YAO WENBO
Assistants: KOU ZHICHAO, CHEN WEI

JPN		Line-up					Point					
		1	2	3	4	5	1	2	3	4	5	
1	OH IWATA	2	2	2	2		7	5	2	5		19
2	OH SHINYAMA	5	5	5	5		3	6	6	3		18
3	OH KUSANO											
4	MB HORIE	3	3	3	3		1		2	3		6
5	MB YOSHIDA	6	6	6	6		1	1	2	4		8
6	MB SATO										1	1
7	OP MATSUMOTO	4	4	4	4		3	2	3	2		10
8	S NAGAI	1	1	1	1		2					2
9	S TSUJI	8		8								
10	OH MATSUDA											
11	OP FUKUSHIMA											
12	L IWANO	L	L	L	L							

Coach: FUJITA TAKANORI
Assistants: SHUNDO HIROKAZU, YAMAOKA KOTARO

TEAMS AND PLAYERS PERFORMANCES

Won Points	Total Attempts	No Name	Scoring Skills	Won Points	Total Attempts	No Name
40	89	Total Team	Spike	55	109	Total Team
12	26	12 WANG D.Z.		17	32	1 IWATA
8	19	4 YANG Y.H		15	33	2 SHINYAMA
8	20	9 DING K.J.		8	13	5 YOSHIDA
9	43	Total Team	Block	3	20	Total Team
2	6	4 YANG Y.H		1	5	1 IWATA
2	15	2 MEI Z.G		1	3	2 SHINYAMA
2	6	7 HU Q.Y.	1	5	4 HORIE	
3	84	Total Team	Serve	6	94	Total Team
2	14	1 HU H.L.		2	18	2 SHINYAMA
1	2	3 LIU X.Y		2	20	7 MATSUMOTO
1			1	19	1 IWATA	
30		Total Team	Opp. Error	32		Total Team
52	216	Total Team		Total	64	223
13	A:12,B:1	12 WANG D.Z.	Best Scorer	19	A:17,B:1,S:1	1 IWATA
10	A:8,B:2	4 YANG Y.H		18	A:15,B:1,S:2	2 SHINYAMA
9	A:8,B:1	9 DING K.J.		10	A:8,S:2	7 MATSUMOTO

Name game jury president: Yermek Syrlybayev [KAZ]

Signature: _____



Volleyball - Match Result (P2)



Asian Men's U16 Volleyball Championship

Preliminary - C

Match: 12 **Date:** 2023-07-24 **Spectators:** 1000
City: Tashkent
Hall: YUNUSOBOD (Main)
Match durations: **Start:** 15:00 **End:** 16:01 **Total:** 01:01

Teams	Sets	1	2	3	4	5	Total
IRI	3	25	25	25			75
KSA	0	12	6	12			30
Set Durations		21	16	18			55

Referees: R1: M. Samidas [IND], R2: Nominzul Khuyag [MGL]

IRI			Line-up					Point					KSA			Line-up					Point						
			1	2	3	4	5	1	2	3	4	5				1	2	3	4	5	1	2	3	4	5		
1	S	Shantia		16	2					1			1	1	OH	SAID	4	4	2				1	1		2	
4	S	Meysam	12	5	3					4			4	2	MB	JAWAD	5	5	3					1		1	
7	OH	Amirali	1	2	6			3	1	1			5	3	MB	QASEM	2	2	6								
8	L	Masoud	L	L	L									4	OH	FAISAL			11								
9	OP	Mostafa												5	S	BASIL	8	8									
11	OP	Hosseini	3	4	5			4	3	2			9	6	L	ABDULAZIZ	L	L	L								
12	OH	Kamyab	4					2					2	8	S	YAZAN	3	3	1			2				2	
14	MB	Baratzadeh	5	6	1			2		1			3	9	MB	ALI	14		14								
15	MB	Mohseni	2	3	4			3	3	1			7	11	OH	EYAD	1	1	5								
16	S	AMIRREZA	6	1				1					1	12	OH	HADI	11		8								
18	OH	Mohammad												14	OP	ABDULLAH	6	6	4			2				2	
19	MB	Asiaei												15	MB	RIDHA											

Coach: Arash Sadeghiyani

Assistants: Vahid Sadeghi Maleki, Sohrab Behnejad

Coach: ZDENKO KRPOVIC

Assistants: KHALED ALMATAR, FAISAL ALBARIQI

TEAMS AND PLAYERS PERFORMANCES

Won Points	Total Attempts	No Name	Scoring Skills	Won Points	Total Attempts	No Name
22	46	Total Team	Spike	2	52	Total Team
8	11	11 Hosseini		1	4	8 YAZAN
5	10	7 Amirali		1	4	14 ABDULLAH
4	4	15 Mohseni				
4	14	Total Team	Block	3	14	Total Team
2	5	15 Mohseni		1	1	14 ABDULLAH
1	2	4 Meysam		1	4	1 SAID
1	2	16 AMIRREZA		1	4	2 JAWAD
6	73	Total Team	Serve	2	32	Total Team
2	8	4 Meysam		1	6	1 SAID
1	10	15 Mohseni		1	9	8 YAZAN
1	10	11 Hosseini				
43		Total Team	Opp. Error	23		Total Team
32	133	Total Team		Total	7	98
9	A:8,S:1	11 Hosseini	Best Scorer	2	B:1,S:1	1 SAID
7	A:4,B:2,S:1	15 Mohseni		2	A:1,S:1	8 YAZAN
5	A:5	7 Amirali		2	A:1,B:1	14 ABDULLAH

Name game jury president: Yermek Syrlybayev [KAZ]

Signature: _____



Volleyball - Match Result (P2)



1 st Asian Men's U16 Volleyball Championship

Preliminary - A

Match: 13 **Date:** 2023-07-24 **Spectators:** 1000
City: Tashkent
Hall: YUNUSOBOD (Main)
Match durations: **Start:** 17:30 **End:** 18:55 **Total:** 01:25

Teams	Sets	1	2	3	4	5	Total
KAZ	0	21	19	20			60
UZB	3	25	25	25			75
Set Durations		25	27	27			79

Referees: R1: Zhang Tao [CHN], R2:Natthaya Nuengdithee [THA]

KAZ		Line-up					Point				
		1	2	3	4	5	1	2	3	4	5
① MB	AKYLBEK	5	3	3			3	2	5		10
3 S	MALIK	6	1				1				1
4 OH	RUSTEMULY	3	4	5			2	3			5
5 L	AIBEKULY	L	L	L							
7 OH	ILIYAS	4	5				1				1
8 OH	TATTIBEK		7	4				2			2
9 OH	KADYRBEK	3	3	2				2			2
10 OH	MUKHTAR	1	2	1			2	2			4
11 MB	DYUSSEBAEV										
12 MB	KHABIBULLAEV	2	6	6			5	2	3		10
14 S	BAURZHAN	1	1								
15 OH	SEILBEK			4							

Coach: OLZHABAEV DULAT
Assistants: KULBEKOV MARGULAN, PEREGUDA ALEXANDR

UZB		Line-up					Point				
		1	2	3	4	5	1	2	3	4	5
1 S	Shuhratov					14					
2 OH	Haydarov	4	5	4			5	2	2		9
3 MB	Varzilov	5	6	5			2	4	3		9
4 MB	Muratbayev										
5 MB	Juraev	2									
6 MB	Axmedov	5	3	2			1	3	1		5
7 OP	Mirobidinov	3	4	3			4	1	3		8
8 OH	Soliyev					9					
9 OH	Matyoqubov	1	2	1			4	2	1		7
12 OH	Nurillaev		7					1			1
13 L	Safarov	L	L	L							
⑭ S	Halimov	6	1	6			1				1

Coach: Sobirov
Assistants: Nosirov, Matkarimov

TEAMS AND PLAYERS PERFORMANCES

Won Points	Total Attempts	No Name	Scoring Skills	Won Points	Total Attempts	No Name
27	81	Total Team	Spike	34	85	Total Team
8	15	1 AKYLBEK		8	21	2 Haydarov
7	13	12 KHABIBULLAEV		8	23	7 Mirobidinov
4	17	4 RUSTEMULY		6	11	3 Varzilov
5	15	Total Team	Block	3	17	Total Team
2	4	1 AKYLBEK		2	10	3 Varzilov
2	5	12 KHABIBULLAEV		1	2	2 Haydarov
1	2	8 TATTIBEK	Serve	3	74	Total Team
3	59	Total Team		2	16	9 Matyoqubov
1	10	12 KHABIBULLAEV		1	11	3 Varzilov
1	9	4 RUSTEMULY	Opp. Error	35		Total Team
1	6	9 KADYRBEK		Total	40	176
25		Total Team	Best Scorer	9	A:6,B:2,S:1	3 Varzilov
35	155	Total Team		9	A:8,B:1	2 Haydarov
				8	A:8	7 Mirobidinov

Name game jury president: Dr.Eom Han-Joo [KOR]

Signature: _____