

Exciting Hangzhou 2023
1st Asian Women's U16 Volleyball Championship



DAILY BULLETIN

No. 6

HangZhou CHINA 杭州. 中国

2023.07.06

MATCH SCHEDULE AND UNIFORM COLORS-3

2023 1st Asian Women's U16 Volleyball Championship

SF1-4				SF5-8				Pool G			
Country	Colour 1	Colour 2	Colour 3	Country	Colour 1	Colour 2	Colour 3	Country	Colour 1	Colour 2	Colour 3
CHN	Red	Blue	White	KAZ	White	Red	Black	MGL	Blue	Red	
JPN	Red	White	Navy Blue	IRI	Dark Blue	Red	Green	AUS	Gold	Green	White
THA	Blue	Red	White	UZB	Red	White		HKG	Red	White	Blue
TPE	Navy Blue	White	Red	MAC	White	Red	Blue				

Date	Time	M.No.	Pool	Round	Venue	Teams				
7 July	10:30	25	G9-12	F	Venue 4		MGL	<u>BYE</u>		
	10:30	26	G9-12	F	Venue 3	Gold	AUS	HKG	Blue	
	15:00	27	SF5-8	SF	Venue 3	White	KAZ	MAC	Blue	
	19:00	28	SF5-8	SF	Venue 3	Red	UZB	IRI	Green	
	15:00	29	SF1-4	SF	Venue 4	Red	THA	JPN	White	
	19:00	30	SF1-4	SF	Venue 4	Blue	CHN	TPE	Red	
8 July	15:00	31	F7-8	F	Venue 3		LM27	LM28		
	19:00	32	F5-6	F	Venue 3		WM27	WM28		
	15:00	33	F3-4	F	Venue 4		LM29	LM30		
	19:00	34	F1-2	F	Venue 4		WM29	WM30		

Venue 1: Linping Sports Centre Gymnasium

Venue 2: China Textile City Sports Centre Gymnasium

Venue 3: Deqing Sports Centre Gymnasium

Venue 4: Hangzhou Normal University Cangqian Gymnasium



Volleyball - Match Result (P2)



1st Asian Women's U16 Volleyball Championship

Ranking - 9-12

Match: 20 **Date:** 2023-07-06 **Spectators:** 300
City: HANGZHOU
Hall: Hangzhou Normal University CANGQIAN GYM
Match durations: Start: 10:30 End: 12:28 Total: 01:58

Teams	Sets	1	2	3	4	5	Total
MGL	3	25	25	24	25		99
AUS	1	14	22	26	19		81
Set Durations		23	28	28	30		109

Referees: R1: Tse Ka Wai [HKG], R2: Masoumeh Esmaeilzadeh Fashami [IRI]

MGL			Line-up					Point					AUS			Line-up					Point							
			1	2	3	4	5	1	2	3	4	5				1	2	3	4	5	1	2	3	4	5			
1	MB	Enkhzul				3						1			①	L	Arthur	L	L	L	L							
3	OP	Nomuundalai			7	4	1					2	5		2	S	Conlon	2	4	3	1		2	2	1		5	
4	OH	Enkhlen	5	5	5	5		1				3		4	3	S	Fox	10	1	2	2			1	1		2	
7	OH	Khaliunaa	4	4	11	4		4	1			5	10	4	OP	Gaborit	2	4	5	4			4	4			8	
8	MB	B.Misheel	18			6						1		1	5	MB	Gu				6			1			1	
⑨	S	Ayalguu	2	2	2	2		3	3			1	7	6	OH	Kelly	11	5	3	2			1	3	6	4	14	
10	OH	Enkhchimeg	11												7	MB	King	1										
11	OH	A.Amarbayasgalan	1	1	1	4		2	3			4	1	10	8	MB	Liu	7	3	4	3			5	5	4	14	
14	OP	D.Misheel	16												9	MB	McCowen	4			4							
16	MB	B.Amarbayasgalan	3	3		3		1					1		10	OP	Perovic	5	3	1	6			1	3	3	1	8
17	L	Enkhjin	L	L	L	L									11	OH	Ryan	6	2	12	5			3	2		5	
18	MB	Maralgua	6	6		6		3	1			2	6		12	OH	Smith	3	11	6	11			2	1	2	5	
Coach: Tamiraa Renchin														Coach: RACHAEL GEORGIEFF														
Assistants: Zolzaya Banzragch														Assistants: PETER GIANNES, REBECCA REDGEN														

TEAMS AND PLAYERS PERFORMANCES

Won Points	Total Attempts	No Name	Scoring Skills	Won Points	Total Attempts	No Name
34	133	Total Team	Spike	44	164	Total Team
10	27	11 A.Amarbayasgalan		13	41	6 Kelly
6	21	3 Nomuundalai		6	11	8 Liu
6	22	7 Khaliunaa		6	13	10 Perovic
3	31	Total Team	Block	9	29	Total Team
1	6	18 Maralgua		6	10	8 Liu
1	5	9 Ayalguu		2	7	10 Perovic
1	3	8 B.Misheel		1	5	2 Conlon
10	98	Total Team	Serve	9	81	Total Team
4	19	9 Ayalguu		3	7	4 Gaborit
4	19	7 Khaliunaa		2	12	8 Liu
1	11	3 Nomuundalai		2	14	3 Fox
52		Total Team	Opp. Error	19		Total Team
47	262	Total Team	Total	62	274	Total Team
10	A:6,S:4	7 Khaliunaa	Best Scorer	14	A:6,B:6,S:2	8 Liu
10	A:10	11 A.Amarbayasgalan		14	A:13,S:1	6 Kelly
7	A:2,B:1,S:4	9 Ayalguu		8	A:5,S:3	4 Gaborit

Name game jury president: Feng Kun [CHN]

Signature: _____



Volleyball - Match Result (P2)



1st Asian Women's U16 Volleyball Championship

Classification 1-8 - E

Match: 21 **Date:** 2023-07-06 **Spectators:** 460
City: HANGZHOU
Hall: Hangzhou Normal University CANGQIAN GYM
Match durations: **Start:** 15:00 **End:** 16:22 **Total:** 01:22

Teams	Sets	1	2	3	4	5	Total
UZB	0	17	22	14			53
KAZ	3	25	25	25			75
Set Durations		24	30	22			76

Referees: R1: Chen Pei-Yun [TPE], R2:Lam Fong [MAC]

UZB			Line-up					Point					KAZ			Line-up					Point					
			1	2	3	4	5	1	2	3	4	5				1	2	3	4	5	1	2	3	4	5	
1	OH	Nigina	1	2	2			2	5	1			8	1	OH	VOLGA	5	6	5			6	4	5	15	
2	S	Durdona			4									2	OP	ZHANABAYEVA		12	4			3	2		5	
3	OH	Rukhshona	6	6	6			1	3	2			6	3	MB	KOILYBAYEVA	3	4	3			3	5	5	13	
4	S	Hilolakhon	3	3	3									4	S	KAMALEDINOVA	1	5	1			1	3		4	
5	OH	Bakhtigul	2	1	1			1	1				2	5	S	SERIK	4	2	4			2			2	
6	OH	Zebokhon	4	4	4			5	3	3			11	6	OH	NIKISHKINA			1			1			1	
7	OH	Uljan	3											7	L	KUTOVA	L	L	L							
8	OH	Zamira	5	5	5			1	2	1			4	8	MB	BALMUKHAMBETOVA	6	1	6			2	2	4	8	
9	OP	Rukhshona	1		8									9	OH	AITUGAN	3					1			1	
10	L	Guzaloy	L	L	L									11	OH	TIYANAKOVA	2	3	2			2	3		5	
11	L	Shokhista												12	OP	AVDEYEVA	4	5				2			2	
12	OP	Dilnura												16	MB	AMERZHAN			8			1			1	

Coach: Rakhimov Shukhrat

Assistants: Turdiev Ilhomjon, Ayimbetova Armanay

Coach: YERGAZIN RINAD

Assistants: NURMUKASHOV YERKIN, JARLAGASSOV TIMUR

TEAMS AND PLAYERS PERFORMANCES

Won Points	Total Attempts	No Name	Scoring Skills	Won Points	Total Attempts	No Name
26	95	Total Team	Spike	35	98	Total Team
9	19	6 Zebokhon		12	31	1 VOLGA
7	22	1 Nigina		8	13	3 KOILYBAYEVA
5	11	3 Rukhshona		4	11	8 BALMUKHAMBETOVA
3	15	Total Team	Block	10	23	Total Team
2	7	6 Zebokhon		5	11	3 KOILYBAYEVA
1	1	3 Rukhshona		3	6	8 BALMUKHAMBETOVA
				2	4	4 KAMALEDINOVA
2	54	Total Team	Serve	12	74	Total Team
1	9	1 Nigina		3	10	1 VOLGA
1	10	8 Zamira		2	10	4 KAMALEDINOVA
				2	8	2 ZHANABAYEVA
22		Total Team	Opp. Error	18		Total Team
31	164	Total Team		Total	57	195
11	A:9,B:2	6 Zebokhon	Best Scorer	15	A:12,S:3	1 VOLGA
8	A:7,S:1	1 Nigina		13	A:8,B:5	3 KOILYBAYEVA
6	A:5,B:1	3 Rukhshona		8	A:4,B:3,S:1	8 BALMUKHAMBETOVA

Name game jury president:

Signature:



Volleyball - Match Result (P2)



1st Asian Women's U16 Volleyball Championship

Classification 1-8 - E

Match: 22 **Date:** 2023-07-06 **Spectators:** 1700
City: HANGZHOU
Hall: Hangzhou Normal University CANGQIAN GYM
Match durations: **Start:** 19:00 **End:** 20:10 **Total:** 01:10

Teams	Sets	1	2	3	4	5	Total
CHN	3	25	25	25			75
THA	0	15	12	10			37
Set Durations		24	21	19			64

Referees: R1: Zolbayar Ganbaatar [MGL], R2: Masuoka Mikako [JPN]

CHN			Line-up					Point					THA			Line-up					Point				
			1	2	3	4	5	1	2	3	4	5				1	2	3	4	5	1	2	3	4	5
1	OP	SUN H.Y.	2	2	2			6	1	5			12	1	L	S.SIRAPHATSON	L	L	L						
2	MB	XU J.Y.				18									3	MB	P.AIRIN	5	6				1		1
6	OH	CHANG Z.X.				16									4	S	K.PANTHITA	6		6					
7	S	ZHANG Z.X.	1	1	1			2	1			3		5	MB	K.PANRAWEE	2	3	5						
9	MB	REN W.Y.	3	3	3			1	1			2		6	OP	C.CHANIDAPA		16	4			2	2		4
10	S	DING X.Y.				7									7	OH	P.OAKSONMANI								
11	OH	HAN W.S.	5	5	5			4	2			6		9	OH	A.THANITA	3	4	3			2	1	2	5
13	L	LI M.J.	L	L	L										10	MB	A.KULYARAK	3	3	2			1		1
16	OP	YANG S.M.	4	4	4			6	6	5		17		14	S	A.SERAH	4	1	4						
18	MB	CHEN X.H.	6	6	6			5	2	2		9		16	OP	P.THATSANAWAN	4	5	20			3			3
19	OH	HUANG Y.X.				11			1			1		18	OP	W.TREETHIP			9				1		1
20	OP	WANG Y.B.	9	9										20	OH	T.NATCHAYA	1	2	1			5	1	1	7

Coach: KUANG QI

Assistants: WANG DAOYU, LIU XIAOTONG

Coach: JARUN NIEMTUPTIM

Assistants: NIPON JAEMJAENG, WORAWUT THONGDA

TEAMS AND PLAYERS PERFORMANCES

Won Points	Total Attempts	No Name	Scoring Skills	Won Points	Total Attempts	No Name
37	73	Total Team	Spike	21	78	Total Team
16	21	16 YANG S.M.		7	24	20 T.NATCHAYA
8	22	1 SUN H.Y.		5	25	9 A.THANITA
8	12	18 CHEN X.H.		4	8	6 C.CHANIDAPA
5	16	Total Team	Block	1	15	Total Team
2	5	1 SUN H.Y.		1	1	10 A.KULYARAK
1	1	18 CHEN X.H.				
1	3	11 HAN W.S.				
8	73	Total Team	Serve	0	38	Total Team
3	16	7 ZHANG Z.X.				
2	13	1 SUN H.Y.				
1	10	11 HAN W.S.				
25		Total Team	Opp. Error	15		Total Team
50	162	Total Team		Total	22	131
17	A:16,S:1	16 YANG S.M.	Best Scorer	7	A:7	20 T.NATCHAYA
12	A:8,B:2,S:2	1 SUN H.Y.		5	A:5	9 A.THANITA
9	A:8,B:1	18 CHEN X.H.		4	A:4	6 C.CHANIDAPA

Name game jury president: Eom Han-Joo [KOR]

Signature: _____



Volleyball - Match Result (P2)



1st Asian Women's U16 Volleyball Championship

Classification 1-8 - F

Match: 23 **Date:** 2023-07-06 **Spectators:** 800
City: HUZHOU
Hall: DEQING SPORTS CENTRE GYM
Match durations: **Start:** 15:00 **End:** 16:02 **Total:** 01:02

Teams	Sets	1	2	3	4	5	Total
IRI	3	25	25	25			75
MAC	0	5	9	10			24
Set Durations		17	20	19			56

Referees: R1: , R2:Jaek Passier [AUS]

IRI			Line-up					Point					MAC			Line-up					Point				
			1	2	3	4	5	1	2	3	4	5				1	2	3	4	5	1	2	3	4	5
1	OH	TINA			1								9			1	2	2							1
2	MB	YALDA	5	6	5			3	1	2			6			L		L							
4	OP	LAYA	3					4					4		3	6	6	12			2		1		3
5	S	HASTI	6		6			1		2			3		4	10	1								
6	MB	YASNA													8	S	TO WENGTONG	5	5	5					
7	OH	MASI	4	5				8		2			10		9	OH	LOK I SUN								
8	MB	ZAHRA	2	3	2			3	2	2			7		10	MB	ZENG YUNFEI	1	3	1			2		2
9	OH	BAHAR			4					1			1		12	OH	WONG HOI IAO	1	3	6			1		1
10	OP	NEGAR		4	3			5		4			9		13	OH	LEI IOI KEI	3		3			1		1
11	L	KIMIA	L	L	L										14	MB	LAM SI CHENG	4	4	4			1	1	2
18	OH	NILOFAR	1	2				2		5			7		15	OH	IEONG WENG KEI			1					
20	S	AYNAZ		1				1					1		17	S	LEI SI HEI								

Coach: FATEMEH SHABANKHAMSEH

Assistants: BAHAREH NIAZI, MAHDIEH KHAJEKOLAEI

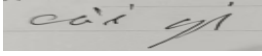
Coach: LAU HO IAN

Assistants: AO CHAN SENG

TEAMS AND PLAYERS PERFORMANCES

Won Points	Total Attempts	No Name	Scoring Skills	Won Points	Total Attempts	No Name
26	51	Total Team	Spike	7	53	Total Team
5	16	7 MASI		2	6	3 UN CHEOK WENG
5	8	10 NEGAR		2	8	10 ZENG YUNFEI
5	7	18 NILOFAR		2	12	14 LAM SI CHENG
6	12	Total Team	Block	1	3	Total Team
3	5	2 YALDA		1	1	1 WONG SI NGA
2	6	8 ZAHRA				
1	1	5 HASTI	Serve	2	25	Total Team
25	74	Total Team		1	3	3 UN CHEOK WENG
6	12	1 TINA		1	4	13 LEI IOI KEI
5	13	7 MASI				
4	14	8 ZAHRA	Opp. Error	14		Total Team
18		Total Team		Total	10	81
57	137	Total Team	Best Scorer		3	A:2,S:1
10	A:5,S:5	7 MASI		2	A:2	10 ZENG YUNFEI
9	A:3,S:6	1 TINA		2	A:2	14 LAM SI CHENG
9	A:5,S:4	10 NEGAR				

Name game jury president: Cai yi [CHN]

Signature: 



Volleyball - Match Result (P2)



1st Asian Women's U16 Volleyball Championship

Classification 1-8 - F

Match: 24 **Date:** 2023-07-06 **Spectators:** 1000
City: HUZHOU
Hall: DEQING SPORTS CENTRE GYM
Match durations: **Start:** 19:00 **End:** 21:16 **Total:** 02:16

Teams	Sets	1	2	3	4	5	Total
JPN	3	25	21	24	25	15	110
TPE	2	22	25	26	19	10	102
Set Durations		25	30	29	24	16	124

Referees: R1: Gubasheva Assel [KAZ], R2: Srianong Khongrod [THA]

JPN			Line-up					Point					TPE			Line-up					Point						
			1	2	3	4	5	1	2	3	4	5				1	2	3	4	5	1	2	3	4	5		
1	MB	KONO	6	3			3	3	1	1			1	3	6	2	OH	Chiu F.C.	5	5	5	5	5	3	5	5	13
2	MB	BABA	3	2	6	2	2	6	4	1	7	5	23			3	OP	Chang D.H.									
3	OP	CHUGANJI	1	4	4	4	4	5	1	5	9	1	21	4	MB	Ho C.H.	12	3	3	3	3				3	3	
4	OH	KUDO	5	6	2	5	5	2	2	3	4	1	12	5	MB	Wu T.H.	3	6	6	6	6	2	1	2	4	3	12
5	OH	MCALLISTER		10	5			3	3				6	6	OH	Chen P.Y.	2	2	2	2	2	6	6	7	4	4	27
6	OH	MATSUO	9	5				1					1	7	L	Li J.N.	L	L	L	L	L						
7	MB	MIZOKAMI		6	3	6	6	6	1	1	1		9	8	OH	Hsuen J.Y.		5	2		2				1	1	
8	OP	HONDA												9	OH	Liu E.T.											
9	OH	YOSHII	2		5			2		1			3	10	S	Chang T.W.	1	1	1	1	1				1	1	
10	S	YOSHIMURA	4	1	1	1	1							11	OP	Chou Y.H.	4	4	4	4	4	7	4	1	3	15	
11	L	SEMBA	L	L	L	L	L							12	MB	Ma T.J.	6			11		3			1	4	
12	OP	SATO	1	1		4								13	S	Lee S.S.											

Coach: SAEGUSA DAICHI

Assistants: HAYASHI KENTO, KAYASHIMA HIKARI

Coach: HOU YA-HUI

Assistants: LAI CHIN-HO, LO YI-CHING

TEAMS AND PLAYERS PERFORMANCES

Won Points	Total Attempts	No Name	Scoring Skills	Won Points	Total Attempts	No Name
65	171	Total Team	Spike	59	206	Total Team
21	44	2 BABA		24	83	6 Chen P.Y.
19	44	3 CHUGANJI		14	39	11 Chou Y.H.
11	41	4 KUDO		8	24	5 Wu T.H.
15	42	Total Team	Block	8	22	Total Team
4	8	7 MIZOKAMI		4	4	2 Chiu F.C.
4	12	1 KONO		2	7	5 Wu T.H.
2	10	2 BABA	2	3	12 Ma T.J.	
1	109	Total Team	Serve	9	103	Total Team
1	10	1 KONO		3	27	6 Chen P.Y.
				2	11	2 Chiu F.C.
				2	15	5 Wu T.H.
29		Total Team	Opp. Error	26		Total Team
81	322	Total Team		Total	76	331
23	A:21,B:2	2 BABA	Best Scorer	27	A:24,S:3	6 Chen P.Y.
21	A:19,B:2	3 CHUGANJI		15	A:14,S:1	11 Chou Y.H.
12	A:11,B:1	4 KUDO		13	A:7,B:4,S:2	2 Chiu F.C.

Name game jury president: Cai yi [CHN]

Signature: 



Volleyball - Pool Ranking



1st Asian Women's U16 Volleyball Championship

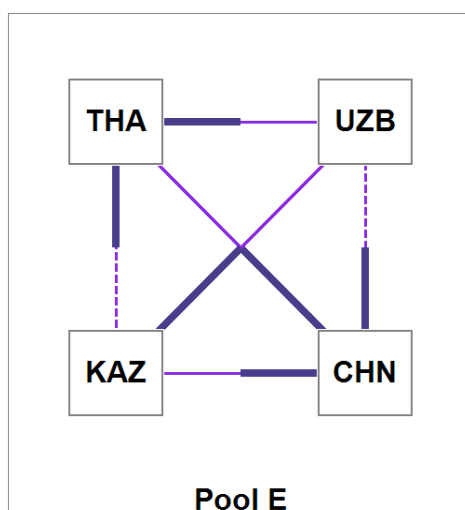
Classification 1-8 - Pool E

Statistics

Rank	Team	Matches			Details						Sets			Points			
		T	W	L	3-0	3-1	3-2	2-3	1-3	0-3	Pts	W	L	Ratio	W	L	Ratio
1	CHN - CHINA	3	3	0	3	0	0	0	0	0	9	9	0	MAX	225	95	2.368
2	THA - THAILAND	3	2	1	1	0	1	0	0	1	5	6	5	1.200	223	176	1.267
3	KAZ - KAZAKHSTAN	3	1	2	1	0	0	1	0	1	4	5	6	0.833	191	239	0.799
4	UZB - UZBEKISTAN	3	0	3	0	0	0	0	0	3	0	0	9	0.000	96	225	0.427

Matches

No	Phase	Pool	Date	Time	Teams	1	2	3	4	5	Sets	Points	Time
*5	Classification 1-8	E	2023-07-02	10:30	THA vs KAZ	23:25	25:11	25:14	23:25	15:8	3-2	111:83	02:22
*8	Classification 1-8	E	2023-07-02	15:00	CHN vs UZB	25:7	25:10	25:8			3-0	75:25	00:57
15	Classification 1-8	E	2023-07-04	15:00	THA vs UZB	25:4	25:7	25:7			3-0	75:18	01:00
16	Classification 1-8	E	2023-07-04	19:00	CHN vs KAZ	25:13	25:14	25:6			3-0	75:33	01:09
21	Classification 1-8	E	2023-07-06	15:00	UZB vs KAZ	17:25	22:25	14:25			0-3	53:75	
22	Classification 1-8	E	2023-07-06	19:00	CHN vs THA	25:15	25:12	25:10			3-0	75:37	

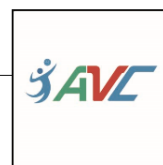




Volleyball - Pool Ranking

1st Asian Women's U16 Volleyball Championship

Classification 1-8 - Pool F

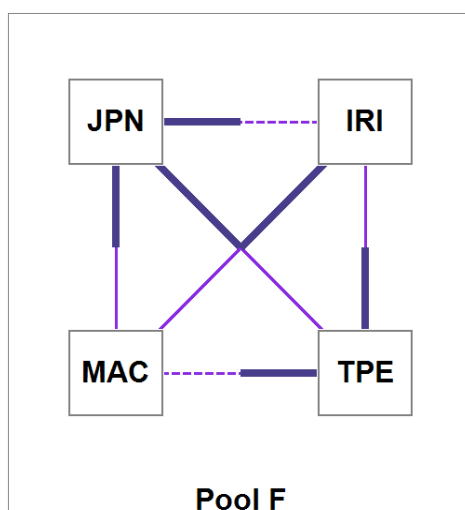


Statistics

Rank	Team	Matches			Details							Sets			Points		
		T	W	L	3-0	3-1	3-2	2-3	1-3	0-3	Pts	W	L	Ratio	W	L	Ratio
1	JPN - JAPAN	3	3	0	2	0	1	0	0	0	8	9	2	4.500	260	182	1.429
2	TPE - Chinese Taipei	3	2	1	2	0	0	1	0	0	7	8	3	2.667	252	170	1.482
3	IRI - IRAN	3	1	2	1	0	0	0	0	2	3	3	6	0.500	170	174	0.977
4	MAC - MACAO,China	3	0	3	0	0	0	0	0	3	0	0	9	0.000	69	225	0.307

Matches

No	Phase	Pool	Date	Time	Teams	1	2	3	4	5	Sets	Points	Time
*7	Classification 1-8	F	2023-07-02	10:30	JPN vs IRI	25:16	25:19	25:20			3-0	75:55	01:18
*12	Classification 1-8	F	2023-07-03	15:00	TPE vs MAC	25:9	25:7	25:4			3-0	75:20	00:51
17	Classification 1-8	F	2023-07-04	15:00	JPN vs MAC	25:9	25:12	25:4			3-0	75:25	01:00
18	Classification 1-8	F	2023-07-04	19:00	TPE vs IRI	25:15	25:10	25:15			3-0	75:40	01:10
23	Classification 1-8	F	2023-07-06	15:00	IRI vs MAC	25:5	25:9	25:10			3-0	75:24	01:02
24	Classification 1-8	F	2023-07-06	19:00	JPN vs TPE	25:22	21:25	24:26	25:19	15:10	3-2	110:102	02:16





Volleyball - Pool Ranking



1st Asian Women's U16 Volleyball Championship

Ranking - Pool 9-12

Statistics

Rank	Team	Matches			Details							Sets			Points		
		T	W	L	3-0	3-1	3-2	2-3	1-3	0-3	Pts	W	L	Ratio	W	L	Ratio
1	HKG - Hong Kong, China	1	1	0	0	1	0	0	0	0	3	3	1	3.000	92	81	1.136
2	MGL - MONGOLIA	2	1	1	0	1	0	0	1	0	3	4	4	1.000	180	173	1.040
3	AUS - AUSTRALIA	1	0	1	0	0	0	0	1	0	0	1	3	0.333	81	99	0.818

Matches

No	Phase	Pool	Date	Time	Teams	1	2	3	4	5	Sets	Points	Time
13	Ranking	9-12	2023-07-04	10:30	MGL vs HKG	21:25	20:25	25:17	15:25		1-3	81:92	02:05
20	Ranking	9-12	2023-07-06	10:30	MGL vs AUS	25:14	25:22	24:26	25:19		3-1	99:81	01:58
26	Ranking	9-12	2023-07-07	10:30	AUS vs HKG								

