

Exciting Hangzhou 2023
1st Asian Women's U16 Volleyball Championship



DAILY BULLETIN

No. 8

HangZhou CHINA 杭州. 中国

2023.07.08

Circular Letter

Dear Team Delegates

On behalf of AVC, we, all CC members, would like to express our sincere thanks to you all for your participation in this championship. I would like to kindly invite you all team delegates to thank to the organizer CHN Volleyball Federation and local staffs in Hangzhou for their decision to be the host of this event and for their great efforts to run this event smoothly and successfully.

Dear local officials and working staffs in each venue, you all have done great jobs in this testing event for 2022 Hangzhou Exciting Asian Games. So long and wish you good success in coming Asian Games.

Dear team delegates, I wish you all have a pleasant and safe journey back home with good memories of experiencing the facilities and environment of Asian Games in Hangzhou.

08 July 2023



Cai Yi, CC Chairman

EOM Ha Joo, Technical Delegate



Volleyball - Teams Final Ranking

1st Asian Women's U16 Volleyball Championship



1. JPN - JAPAN
2. CHN - CHINA
3. TPE - Chinese Taipei
4. THA - THAILAND
5. KAZ - KAZAKHSTAN
6. IRI - IRAN
7. UZB - UZBEKISTAN
8. MAC - MACAO,China
9. HKG - Hong Kong, China
10. MGL - MONGOLIA
11. AUS - AUSTRALIA

A handwritten signature in blue ink, appearing to be 'O. M. E. K.'.



Volleyball - Players Award

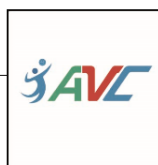
1st Asian Women's U16 Volleyball Championship



Title	Team	No.	Position
Best Outside Hitter	JPN	2	Yuzuki
Best Outside Hitter	TPE	6	Chen Pin-Yu
Best Middle Blocker	CHN	18	CHEN XIAOHUI
Best Middle Blocker	JPN	1	Kaho
Best Opposite Spiker	CHN	16	YANG SHUMING
Best Libero	CHN	13	LI MINGJING
Best Setter	JPN	10	Hagumi
Most Valuable Player	JPN	2	Yuzuki



Volleyball - Match Result (P2)



1st Asian Women's U16 Volleyball Championship

Ranking - 5-8

Match: 31 **Date:** 2023-07-08 **Spectators:** 1000
City: HUZHOU
Hall: DEQING SPORTS CENTRE GYM
Match durations: **Start:** 15:00 **End:** 16:15 **Total:** 01:15

Teams	Sets	1	2	3	4	5	Total
MAC	0	22	14	7			43
UZB	3	25	25	25			75
Set Durations		27	24	18			69

Referees: R1: Chen Pei-Yun [TPE], R2: Jaek Passier [AUS]

MAC			Line-up					Point					UZB			Line-up					Point						
			1	2	3	4	5	1	2	3	4	5				1	2	3	4	5	1	2	3	4	5		
1	OP	WONG SI NGA	2					2					2		1	OH	Nigina	6	6	6					1	3	4
2	L	CHEONG IAN UT CELINA	L	L	L										2	S	Durdona										
3	OH	UN CHEOK WENG	6	6	6			2	1				3		3	OH	Rukhshona	1	5				1	1		2	
4	MB	ZHENG WENG CHENG				14									4	S	Hilolakhon	3	3	3				2	1		3
8	S	TO WENGTONG	5	5	5			1					1		5	OH	Bakhtigul	1	1	1			2	2	2		6
9	L	LOK I SUN	L	L	L										6	OH	Zebokhon	2	2	2			3	4	7		14
10	MB	ZENG YUNFEI	1	1	1			1	1				2		7	OH	Uljan	4	4	4			5	2	3		10
12	OH	WONG HOI IAO	1	2	2				1				1		8	OH	Zamira	5	5	5			2	2	3		7
13	OH	LEI IOI KEI	3	3	3			2	2	4			8		9	OP	Rukhshona			7							
14	MB	LAM SI CHENG	4	4	4			5					5		10	L	Guzaloy	L	L	L							
15	OH	IEONG WENG KEI													11	L	Shokhista	L	L								
17	S	LEI SI HEI				8									12	OP	Dilnura										

Coach: LAU HO IAN
Assistants: AO CHAN SENG

Coach: Rakhimov Shukhrat
Assistants: Turdiev Ilhomjon, Ayimbetova Armanay

TEAMS AND PLAYERS PERFORMANCES

Won Points	Total Attempts	No Name	Scoring Skills	Won Points	Total Attempts	No Name
13	92	Total Team	Spike	32	96	Total Team
6	34	13 LEI IOI KEI		10	20	7 Uljan
3	26	3 UN CHEOK WENG		7	18	8 Zamira
1	2	1 WONG SI NGA		5	20	6 Zebokhon
1	5	Total Team	Block	4	14	Total Team
1	2	14 LAM SI CHENG		4	9	6 Zebokhon
8	44	Total Team	Serve	10	73	Total Team
3	9	14 LAM SI CHENG		5	23	6 Zebokhon
2	7	13 LEI IOI KEI		3	11	5 Bakhtigul
1	4	1 WONG SI NGA		1	10	4 Hilolakhon
21		Total Team	Opp. Error	29		Total Team
22	141	Total Team		Total	46	183
8	A:6,S:2	13 LEI IOI KEI	Best Scorer	14	A:5,B:4,S:5	6 Zebokhon
5	A:1,B:1,S:3	14 LAM SI CHENG		10	A:10	7 Uljan
3	A:3	3 UN CHEOK WENG		7	A:7	8 Zamira

Name game jury president: Feng Kun [CHN]

Signature: _____



Volleyball - Match Result (P2)



1st Asian Women's U16 Volleyball Championship

Ranking - 5-8

Match: 32 **Date:** 2023-07-08 **Spectators:** 2000
City: HUZHOU
Hall: DEQING SPORTS CENTRE GYM
Match durations: **Start:** 19:00 **End:** 21:05 **Total:** 02:05

Teams	Sets	1	2	3	4	5	Total
KAZ	3	18	25	25	25		93
IRI	1	25	21	19	18		83
Set Durations		31	29	28	28		116

Referees: R1: Djumaniyozov Ganijon [UZB], R2:Wei Jie [CHN]

KAZ			Line-up					Point					IRI			Line-up					Point						
			1	2	3	4	5	1	2	3	4	5	1	2	3	4	5	1	2	3	4	5					
1	OH	VOLGA	6	5	6	5		3	4	2	5		14	1	OH	TINA	18	7	2			2	2	4			
2	OP	ZHANABAYEVA	11	4	16	16		1	1				2	2	MB	YALDA	2	3	5	3			4	1	3	1	9
3	MB	KOILYBAYEVA	4	6	1	6		1	2	2	3		8	4	OP	LAYA	3	4	3	10			4	2	2		8
4	S	KAMALEDINOVA	5	1	5	1		1		1			2	5	S	HASTI	6	1	6	1			1	2			3
5	S	SERIK	2	4	2	4		1	1	1	1		4	6	MB	YASNA	5	6		6			1	3		1	5
6	OH	NIKISHKINA												7	OH	MASI	4	5	4	5			3	3	1		7
7	L	KUTOVA	L	L	L	L								8	MB	ZAHRA	6	2									
8	MB	BALMUKHAMBETOVA	1	3	4	3		4	6	2			12	9	OH	BAHAR		18	7					1			1
9	OH	AITUGAN												10	OP	NEGAR	5	4	4				1	2	4		7
11	OH	TIYANAKOVA	3	2	3	2		2	2	2			6	11	L	KIMIA	L	L	L	L							
12	OP	AVDEYEVA	5		3	11		2					2	18	OH	NILOFAR	1	2	1	1			3	2	4	4	13
16	MB	AMERZHAN	3	2	5	4		1	3	3			7	20	S	AYNAZ	4	5									

Coach: YERGAZIN RINAD

Assistants: NURMUKASHOV YERKIN, JARLAGASSOV TIMUR

Coach: FATEMEH SHABANKHAMSEH

Assistants: BAHAREH NIAZI, MAHDIEH KHAJEKOLAEI

TEAMS AND PLAYERS PERFORMANCES

Won Points	Total Attempts	No Name	Scoring Skills	Won Points	Total Attempts	No Name
41	128	Total Team	Spike	43	141	Total Team
13	39	1 VOLGA		10	27	18 NILOFAR
9	16	8 BALMUKHAMBETOVA		7	28	7 MASI
6	16	3 KOILYBAYEVA		7	20	10 NEGAR
10	22	Total Team	Block	6	19	Total Team
3	9	8 BALMUKHAMBETOVA		3	6	2 YALDA
3	3	16 AMERZHAN		2	7	6 YASNA
2	3	3 KOILYBAYEVA		1	1	5 HASTI
6	91	Total Team	Serve	8	83	Total Team
2	21	11 TIYANAKOVA		3	13	18 NILOFAR
1	9	5 SERIK		2	7	4 LAYA
1	6	4 KAMALEDINOVA		1	7	6 YASNA
36		Total Team	Opp. Error	26		Total Team
57	241	Total Team		Total	57	243
14	A:13,S:1	1 VOLGA	Best Scorer	13	A:10,S:3	18 NILOFAR
12	A:9,B:3	8 BALMUKHAMBETOVA		9	A:6,B:3	2 YALDA
8	A:6,B:2	3 KOILYBAYEVA		8	A:6,S:2	4 LAYA

Name game jury president: Feng Kun [CHN]

Signature: _____



Volleyball - Match Result (P2)



1st Asian Women's U16 Volleyball Championship

Ranking - 1-4

Match: 33 **Date:** 2023-07-08 **Spectators:** 3600
City: HANGZHOU
Hall: Hangzhou Normal University CANGQIAN GYM
Match durations: **Start:** 15:00 **End:** 16:14 **Total:** 01:14

Teams	Sets	1	2	3	4	5	Total
THA	0	18	19	9			46
TPE	3	25	25	25			75
Set Durations		23	24	21			68

Referees: R1: Zolbayar Ganbaatar [MGL], R2: Srianong Khongrod [THA]

THA			Line-up					Point				
			1	2	3	4	5	1	2	3	4	5
1	L	S.SIRAPHATSON	L	L	L							
3	MB	P.AIRIN	6									
4	S	K.PANTHITA	1	6	14							
5	MB	K.PANRAWEE	3	2	3			4	1			5
6	OP	C.CHANIDAPA	4	9								
7	OH	P.OAKSONMANI	2	1	5			2	2			4
9	OH	A.THANITA	6	3	4			1	3			4
10	MB	A.KULYARAK	3	5	6			1	1			2
14	S	A.SERAH		4	1							
16	OP	P.THATSANAWAN	20	7								
18	OP	W.TREETHIP		9					1			1
20	OH	T.NATCHAYA	5	4	2			5	2	2		9

TPE			Line-up					Point				
			1	2	3	4	5	1	2	3	4	5
2	OH	Chiu F.C.	5	5	5			3	5	2		10
3	OP	Chang D.H.	13	10								
4	MB	Ho C.H.	2	12								
5	MB	Wu T.H.	3	3	3			4	3	5		12
6	OH	Chen P.Y.	2	2	2			6	5	5		16
7	L	Li J.N.	L	L	L							
8	OH	Hsuen J.Y.	12	2				1	1			2
9	OH	Liu E.T.		12								
10	S	Chang T.W.	11	13	1				1			1
11	OP	Chou Y.H.	4	4	4			3	6	5		14
12	MB	Ma T.J.	6	6	6				2			2
13	S	Lee S.S.	1	1	11			2				2

Coach: JARUN NIEMTUBTIM

Assistants: NIPON JAEMJAENG, WORAWUT THONGDA

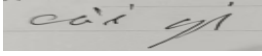
Coach: HOU YA-HUI

Assistants: LAI CHIN-HO, LO YI-CHING

TEAMS AND PLAYERS PERFORMANCES

Won Points	Total Attempts	No Name	Scoring Skills	Won Points	Total Attempts	No Name
17	77	Total Team	Spike	45	98	Total Team
7	21	20 T.NATCHAYA		15	32	6 Chen P.Y.
4	19	7 P.OAKSONMANI		11	23	11 Chou Y.H.
4	12	9 A.THANITA		8	20	2 Chiu F.C.
4	21	Total Team	Block	5	15	Total Team
2	5	20 T.NATCHAYA		4	6	5 Wu T.H.
1	7	5 K.PANRAWEE		1	2	11 Chou Y.H.
1	3	10 A.KULYARAK	Serve	9	74	Total Team
4	47	Total Team		2	10	11 Chou Y.H.
3	12	5 K.PANRAWEE		2	10	2 Chiu F.C.
1	6	10 A.KULYARAK		1	6	5 Wu T.H.
21		Total Team	Opp. Error	16		Total Team
25	145	Total Team	Total	59	187	Total Team
9	A:7,B:2	20 T.NATCHAYA	Best Scorer	16	A:15,S:1	6 Chen P.Y.
5	A:1,B:1,S:3	5 K.PANRAWEE		14	A:11,B:1,S:2	11 Chou Y.H.
4	A:4	7 P.OAKSONMANI		12	A:7,B:4,S:1	5 Wu T.H.

Name game jury president: Cai yi [CHN]

Signature: 



Volleyball - Match Result (P2)



1st Asian Women's U16 Volleyball Championship

Ranking - 1-4

Match: 34 **Date:** 2023-07-08 **Spectators:** 5000
City: HANGZHOU
Hall: Hangzhou Normal University CANGQIAN GYM
Match durations: **Start:** 19:00 **End:** 20:39 **Total:** 01:39

Teams	Sets	1	2	3	4	5	Total
JPN	3	25	25	17	25		92
CHN	1	19	22	25	19		85
Set Durations		22	22	21	25		90

Referees: R1: Zolbayar Ganbaatar [MGL], R2: Srianong Khongrod [THA]

JPN			Line-up					Point					CHN			Line-up					Point					
			1	2	3	4	5	1	2	3	4	5				1	2	3	4	5	1	2	3	4	5	
1	MB	KONO	5	6	5	6		1	1				3	1	OP	SUN H.Y.	2	4	4	4		2	1	5	1	9
2	OP	BABA	4	5	4	5		4	4	5	9		22	2	MB	XU J.Y.										
3	OH	CHUGANJI	6	1	6	1		2	3	3	4		12	6	OH	CHANG Z.X.	7									
4	OH	KUDO	1	2	1	2		1	4		2		7	7	S	ZHANG Z.X.	1	1	1	1		1	1	2		4
5	OH	MCALLISTER												9	MB	REN W.Y.	3	3				2				2
6	OH	MATSUO												10	S	DING X.Y.	16									
7	MB	MIZOKAMI	2	3	2	3		4	2	1	3		10	11	OH	HAN W.S.	5	19	5	5		1	1			2
8	OP	HONDA												13	L	LI M.J.	L	L	L	L						
9	OH	YOSHII		1					1				1	16	OP	YANG S.M.	4	2	2	2		4	6	5	5	20
10	S	YOSHIMURA	3	4	3	4		2	1				3	18	MB	CHEN X.H.	6	6	6	6		1	1	2	3	7
11	L	SEMBA	L	L	L	L								19	OH	HUANG Y.X.	11	5		11		5	2		1	8
12	S	SATO												20	MB	WANG Y.B.	9	9	3	3		1	2	1		4

Coach: SAEGUSA DAICHI

Assistants: HAYASHI KENTO, KAYASHIMA HIKARI

Coach: KUANG QI

Assistants: WANG DAOYU, LIU XIAOTONG

TEAMS AND PLAYERS PERFORMANCES

Won Points	Total Attempts	No Name	Scoring Skills	Won Points	Total Attempts	No Name
37	111	Total Team	Spike	44	118	Total Team
16	42	2 BABA		20	44	16 YANG S.M.
9	23	3 CHUGANJI		8	20	1 SUN H.Y.
7	14	7 MIZOKAMI		6	13	18 CHEN X.H.
10	37	Total Team	Block	7	25	Total Team
3	7	2 BABA		3	8	20 WANG Y.B.
3	13	1 KONO		2	5	9 REN W.Y.
2	3	3 CHUGANJI		1	3	1 SUN H.Y.
11	91	Total Team	Serve	5	86	Total Team
3	16	2 BABA		2	8	19 HUANG Y.X.
3	23	4 KUDO		2	18	7 ZHANG Z.X.
2	17	7 MIZOKAMI		1	12	20 WANG Y.B.
34		Total Team	Opp. Error	29		Total Team
58	239	Total Team		Total	56	229
22	A:16,B:3,S:3	2 BABA	Best Scorer	20	A:20	16 YANG S.M.
12	A:9,B:2,S:1	3 CHUGANJI		9	A:8,B:1	1 SUN H.Y.
10	A:7,B:1,S:2	7 MIZOKAMI		8	A:6,S:2	19 HUANG Y.X.

Name game jury president: Eom Han-Joo [KOR]

Signature: _____



Volleyball - Pool Ranking



1st Asian Women's U16 Volleyball Championship

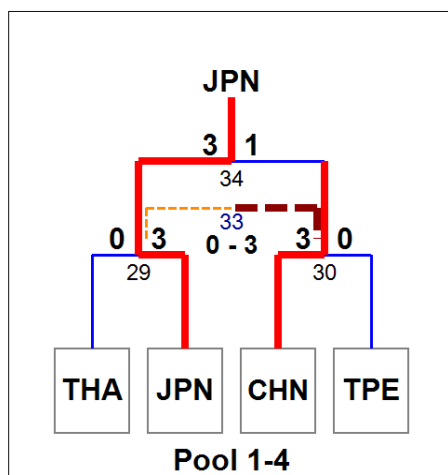
Ranking - Pool 1-4

Statistics

Rank	Team	Matches			Details							Sets			Points		
		T	W	L	3-0	3-1	3-2	2-3	1-3	0-3	Pts	W	L	Ratio	W	L	Ratio
1	JPN - JAPAN	2	2	0	1	1	0	0	0	0	6	6	1	6.000	167	138	1.210
2	CHN - CHINA	2	1	1	1	0	0	0	1	0	3	4	3	1.333	160	145	1.103
3	TPE - Chinese Taipei	2	1	1	1	0	0	0	0	1	3	3	1.000	128	121	1.058	
4	THA - THAILAND	2	0	2	0	0	0	0	0	2	0	0	0.000	99	150	0.660	

Matches

No	Phase	Pool	Date	Time	Teams	1	2	3	4	5	Sets	Points	Time
29	Ranking	1-4	2023-07-07	15:00	THA vs JPN	22:25	13:25	18:25			0-3	53:75	01:18
30	Ranking	1-4	2023-07-07	19:00	CHN vs TPE	25:18	25:17	25:18			3-0	75:53	01:17
33	Ranking	1-4	2023-07-08	15:00	THA vs TPE	18:25	19:25	9:25			0-3	46:75	
34	Ranking	1-4	2023-07-08	19:00	JPN vs CHN	25:19	25:22	17:25	25:19		3-1	92:85	01:39





Volleyball - Pool Ranking



1st Asian Women's U16 Volleyball Championship

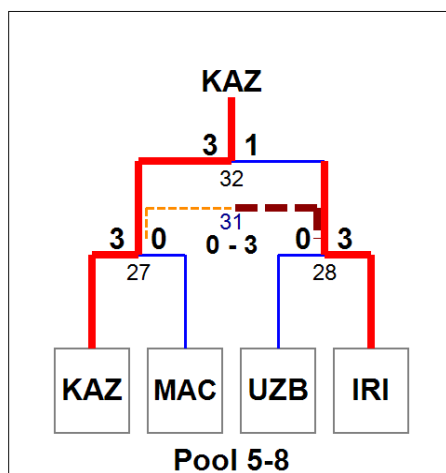
Ranking - Pool 5-8

Statistics

Rank	Team	Matches			Details							Sets			Points		
		T	W	L	3-0	3-1	3-2	2-3	1-3	0-3	Pts	W	L	Ratio	W	L	Ratio
5	KAZ - KAZAKHSTAN	2	2	0	1	1	0	0	0	0	6	6	1	6.000	168	108	1.556
6	IRI - IRAN	2	1	1	1	0	0	0	1	0	3	4	3	1.333	158	141	1.121
7	UZB - UZBEKISTAN	2	1	1	1	0	0	0	0	1	3	3	1.000	123	118	1.042	
8	MAC - MACAO,China	2	0	2	0	0	0	0	0	2	0	6	0.000	68	150	0.453	

Matches

No	Phase	Pool	Date	Time	Teams	1	2	3	4	5	Sets	Points	Time
27	Ranking	5-8	2023-07-07	15:00	KAZ vs MAC	25:4	25:9	25:12			3-0	75:25	01:01
28	Ranking	5-8	2023-07-07	19:00	UZB vs IRI	9:25	19:25	20:25			0-3	48:75	01:21
31	Ranking	5-8	2023-07-08	15:00	MAC vs UZB	22:25	14:25	7:25			0-3	43:75	01:15
32	Ranking	5-8	2023-07-08	19:00	KAZ vs IRI	18:25	25:21	25:19	25:18		3-1	93:83	02:05





Volleyball - Pool Ranking



1st Asian Women's U16 Volleyball Championship

Ranking - Pool 9-12

Statistics

Rank	Team	Matches			Details							Sets			Points		
		T	W	L	3-0	3-1	3-2	2-3	1-3	0-3	Pts	W	L	Ratio	W	L	Ratio
9	HKG - Hong Kong, China	2	2	0	1	1	0	0	0	0	6	6	1	6.000	167	126	1.325
10	MGL - MONGOLIA	2	1	1	0	1	0	0	1	0	3	4	4	1.000	180	173	1.040
11	AUS - AUSTRALIA	2	0	2	0	0	0	0	1	1	0	1	6	0.167	126	174	0.724

Matches

No	Phase	Pool	Date	Time	Teams	1	2	3	4	5	Sets	Points	Time
13	Ranking	9-12	2023-07-04	10:30	MGL vs HKG	21:25	20:25	25:17	15:25		1-3	81:92	02:05
20	Ranking	9-12	2023-07-06	10:30	MGL vs AUS	25:14	25:22	24:26	25:19		3-1	99:81	01:58
26	Ranking	9-12	2023-07-07	10:30	AUS vs HKG	12:25	13:25	20:25			0-3	45:75	

